

DIAPER DECK SPECIFICATION SHEET

One of our core values is that all of our products are made in the United States. Because our products are made in the United States, we have higher quality control standards than our competitors and we can guarantee that our products are built to the highest safety specifications. Our company is dedicated to bringing jobs and prosperity back to the United States. Your help in purchasing products made in the United States will assist in our efforts to accomplish this goal. We hope to make a difference and hope you can be a part of it.

We truly appreciate your business and thank you in advance for choosing Diaper Deck & Co. as your supplier.

Thank you

Corlin Smith

President

Corporate Attorney

Diaper Deck™:

The Diaper Deck™ is a compact, wall mounted, infant changing station that includes safety straps and an integral sanitary liner dispenser. The Diaper Deck™ is easy to maintain and can be cleaned with any general purpose cleaner. The Diaper Deck™ was designed with three important factors in mind: Safety, Durability, Space-and Saving Design.

Safety: The Diaper Deck™ was designed with safety as the first priority. The Diaper Deck™ only comes in a horizontal model, which eliminates the high risks of a vertical changing station. The Diaper Deck™ only allows the baby to roll toward the wall or the parent changing the baby, which greatly lowers the risk of the baby falling. The Diaper Deck™ features Safe Strap™, a uniquely designed safety restraint that is equipped with a clip lock fastener, ensuring release only by the parent. Unique to the Diaper Deck™ is its concave bed, which further reduces the risks of the baby rolling off the changing station. The Diaper Deck™ will not drop below a 90° angle required for safety.

Durability: The Diaper Deck™ is constructed of FDA approved high density polyethylene plastic which makes it impervious to odors, mildew, and bacteria. A Pneumatic air pump is used for controlled lowering and automatic retraction of the changing bed. The Diaper Deck™ is designed to withstand over 400 lbs. of static weight, which provides the highest safety standards and vandalism protection on the market today.

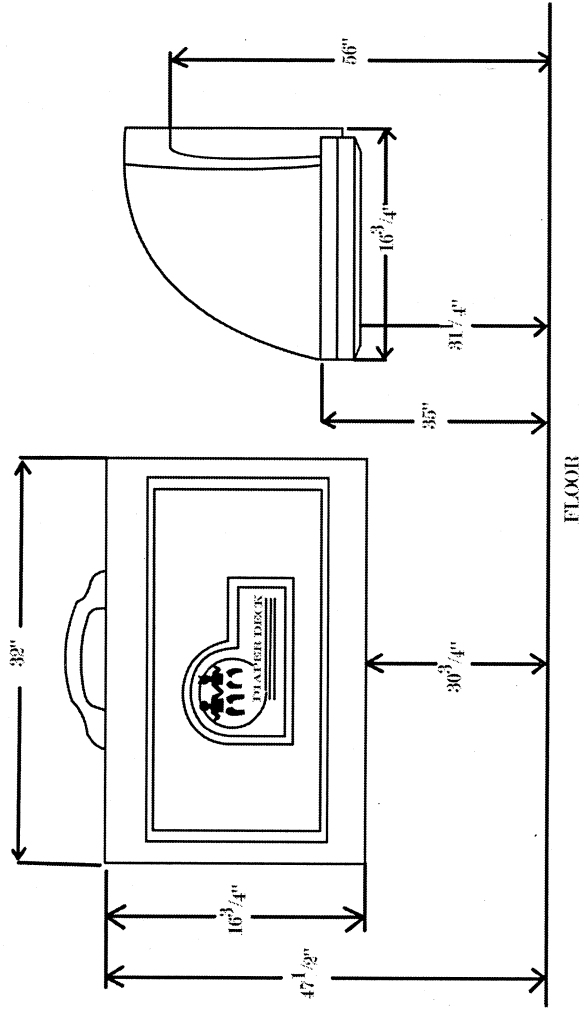
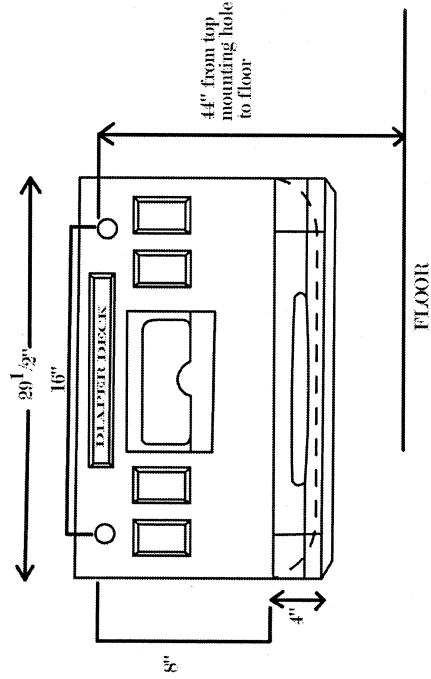
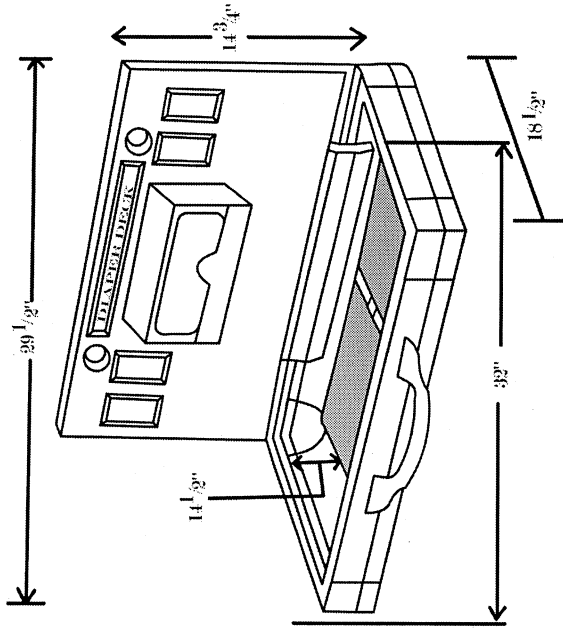
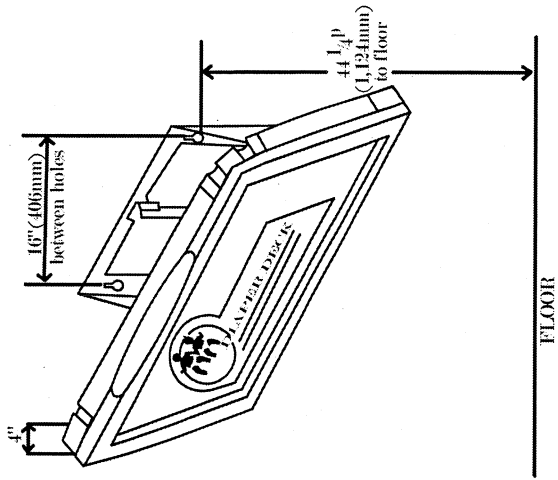
DIAPER DECK SPECIFICATION SHEET

Space-Saving Design: The Diaper Deck's space-saving design allows it to fit into the smallest of restrooms and allows for installation in restroom stalls. When the Diaper Deck™ is in a closed position and properly mounted, it projects only 4 inches from the wall. When opened, it projects 18 ½ inches. This space-saving changing station will provide parents with peace of mind while still being easy to clean and maintain.

The Diaper Deck™ is very easy to clean and maintain and any general purpose cleaner can be used to clean it.
Warranty: Ten year warranty on all polyethylene plastic frame. One- year warranty on all parts from defects in workmanship. Upon the notification and return of defective part(s) within warranty period, the Company will repair or replace any of the defective part(s) or at its option may replace the entire unit. This warranty expressly excludes the breakage, damage, or total destruction of any and all parts exposed to abuse, vandalism, acts of violence, or improper installation.

Mounting Requirements: The Diaper Deck™ comes with all necessary mounting hardware for wood studs, metal studs and hollow walls. Under no circumstances should the Diaper Deck™ be mounted on a wall not able to withstand a minimum of 100 lbs. per square foot in all directions. The Diaper Deck™ must be installed consistent with all local, as well as national codes, ordinances and regulations relating to such installation. The Diaper Deck™ is ADA Compliant and meets ASTM certifications when properly installed following manufacturer's guidelines.

DIAPER DECK SPECIFICATION SHEET



DIAPER DECK SPECIFICATION SHEET

Congratulations!

You are now the proud owner of a Diaper Deck, the finest commercial infant changing table of its kind. We know that you will be delighted with its performance and utility. Enclosed with your Diaper Deck you will find hardware for installation, please confirm that you have received all of the materials and read through the instructions carefully before beginning installation. The materials you should have received are as follows and will allow for mounting in a wood or metal stud wall, or cement wall.

The Diaper Deck Infant Changing Table includes the following:

- Four #14--3" wood screws**
- Four #20--114x3" machine screws**
- Four 718" 0.0 Fender Washers**
- Four 114 x#20 Toggle Wings**
- Four #14 Finishing Washers**
- 2 Sanitary Liners**

If you are missing any of the above please contact us and we will ship them to you immediately.

Thank you for purchasing a Diaper Deck. If you have any questions or comments please contact us at 952-882-4661 or DiaperDeckChanger@gmail.com. We hope that you are happy with our products and hope that you will refer others to our company as all products are made in the USA.

The Diaper Deck must be installed inside a restroom stall. First, set the Diaper Deck down. You will need to change your drill bit to a 7/32" masonry bit to enable you to drill through the ceramic tile. Begin to drill the four mounting holes carefully through the ceramic tile only. After drilling the four holes through the ceramic tile is complete, change the drill bit to a 7/32" drill bit to complete the drilling of the holes into the wood studs. Now please the two wood screws through two finishing washers, then through two 1" fender washers and through the two upper mounting holes. Place two more wood screws through the two finishing washers, then through two 1" Fender Washers and through the lower mounting holes.

Next pick up the Diaper Deck with the help of another person. The Unit should still be in the open position. Place the unit against the wall, slipping the screws into the holes in the wall. Tighten each screw until the unit is held securely against the wall. Your installation is now complete.